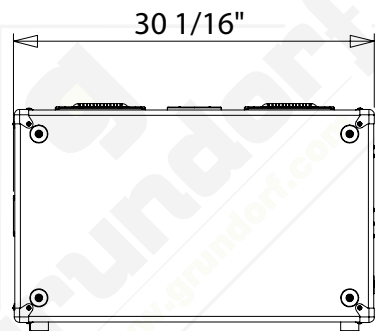
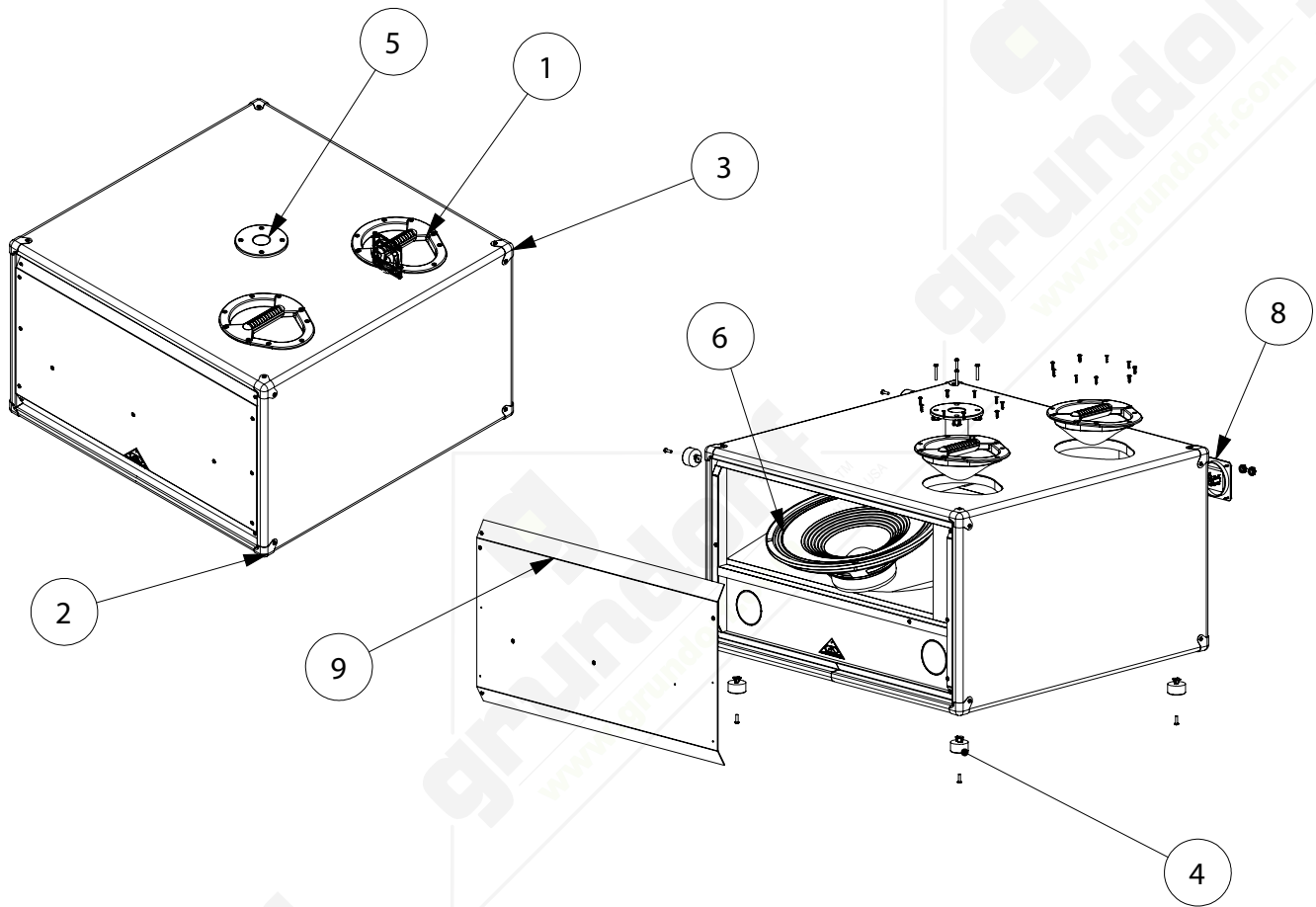
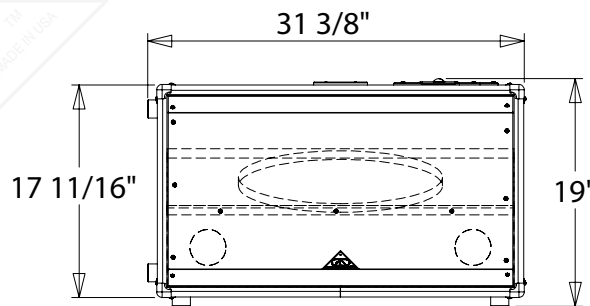


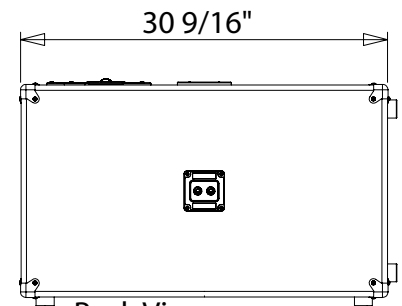
#	Qty	PART NUMBER	DESCRIPTION
1	2	31-015	HANDLE - TEARDROP, BLACK GRIP
2	4	32-004	CORNER - METAL, 2-LEG WRAP, BLACK
3	4	32-005	CORNER - METAL, 3 LEG, BLACK
4	8	40-001	FOOT - RUBBER/1-1/2"
5	1	45-004	POLEMOUNT-SURFACE PLASTIC 1.38
6	1	51-066	LOUDSPEAKER - 15"/400W/8OHM
7	1	52-042	BADGE - ST
8	1	60-003	TERMINAL CUP - SQUARE
9	1	ST-SLP-18-Grill	28 3/4" x 65.641298



Side View



Front View



Back View